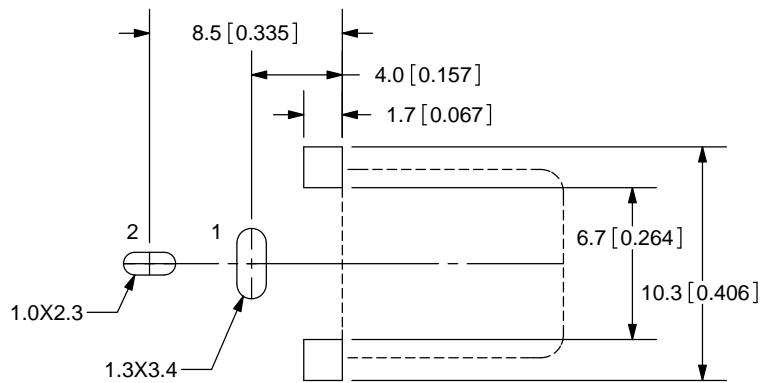
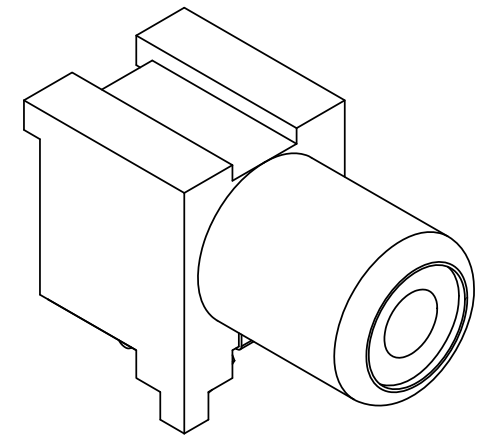
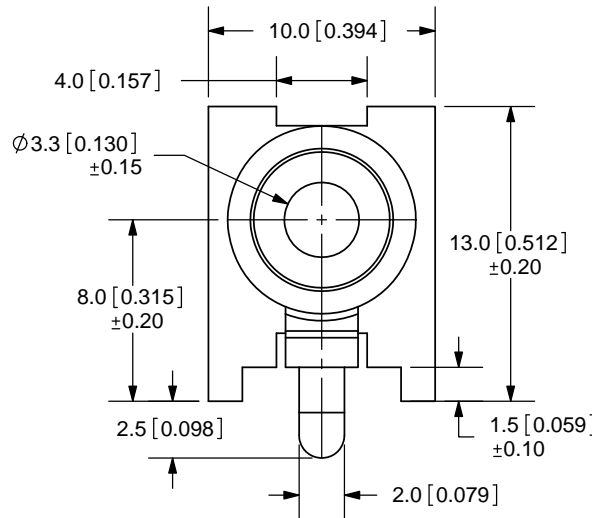
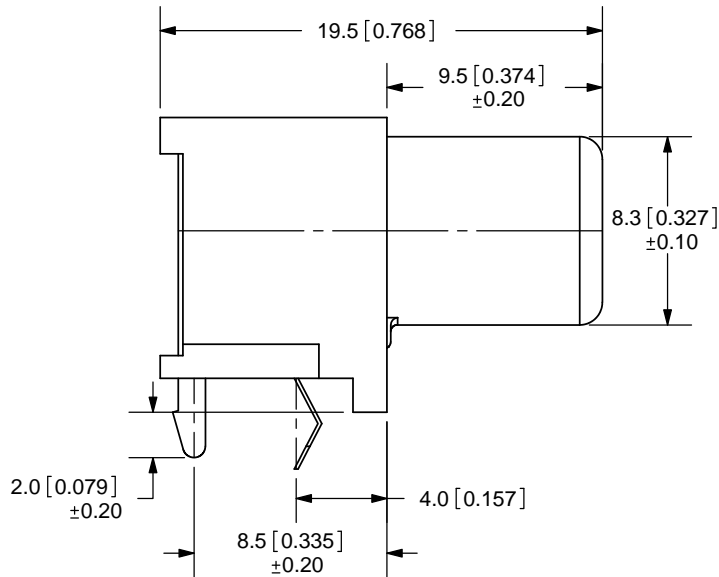


REV.	DESCRIPTION	DATE
A	NEW DRAWING	7/23/2007



PCB LAYOUT  
TOP VIEW

MODEL NO.	RCJ-04X
SCHEMATIC	

COLOR INDEX	
PART NO.	COLOR
RCJ-041	Black
RCJ-042	Red
RCJ-043	White
RCJ-044	Yellow
RCJ-045	Blue
RCJ-046	Green
RCJ-047	Orange

TOLERANCE:  
±0.3mm UNLESS OTHERWISE  
SPECIFIED



20050 SW 112th Ave.  
Tualatin, OR 97062  
Phone: 503-612-2300  
800-275-4899  
Fax: 503-612-2383  
Website: www.cui.com

**SPECIFICATIONS:**  
CONTACT RESISTANCE: 30m OHMS MAX  
INSULATION RESISTANCE: 100M OHMS MIN: 500V DC  
VOLTAGE WITHSTAND: 500V AC R.M.S. FOR 1 MINUTE  
LIFE: 5,000 CYCLES

	MATERIAL	PLATING
EARTH TERMINAL (1)	Brass	Nickel
PIN (2)	Brass	Tin
HOUSING	PA66	

TITLE:	RCJ JACK, RIGHT ANGLE, PCB MOUNT	REV:	A
PART NO.	RCJ-04X	UNITS:	MM [INCHES]
DRAWN BY:	ZRJ	APPROVED BY:	
		SCALE:	3:1

PC FILE NAME:  
RCJ-04X

COPYRIGHT 2007 BY CUI INC.